



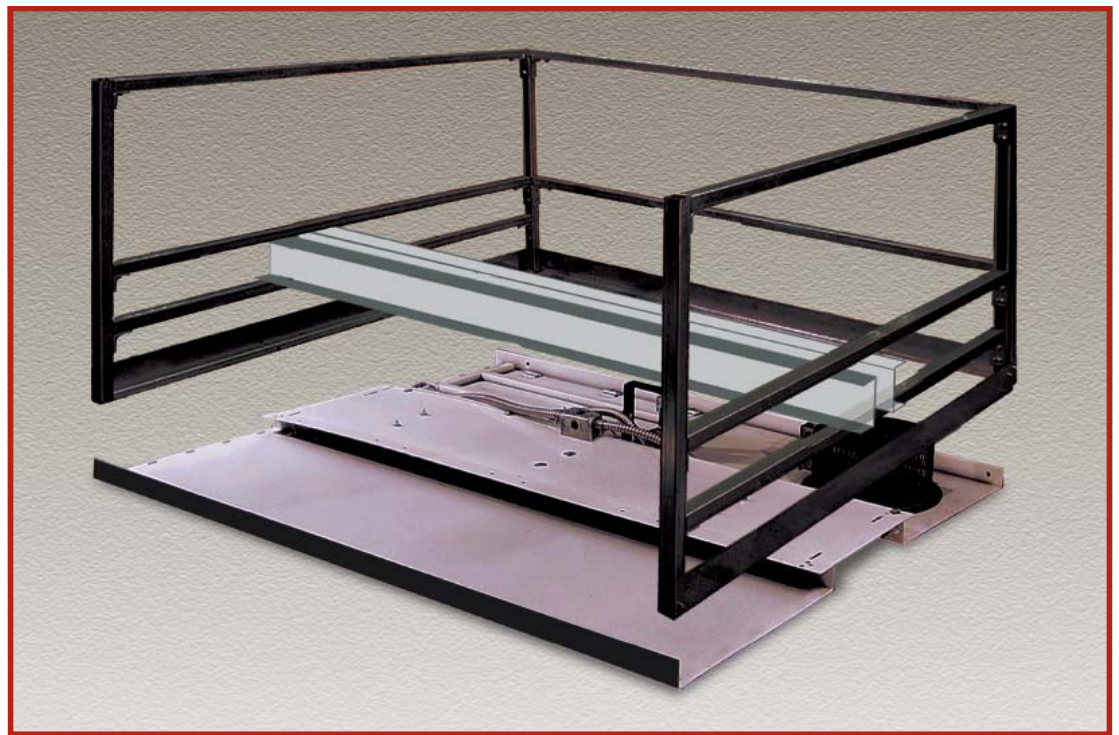
vertical express

Car Top Rail Kit

A Safer Working Area

Vertical Express car top rail kits are designed to provide a safe working area for service mechanics on the elevator car top. This kit meets ASME A17.1-2000 Code, which requires special railing if there is more than 12" of space between the car and the adjacent hoistway wall.

Our car top rail kit, designed with heavy-duty Unistrut® modular components, includes all hardware and angle brackets needed for ease of installation.



Benefits:

- 42" high railing for code compliance
- A safer, more stable working platform
- Available in two sizes, easily adapting to most car configurations
- Expansion kits available for larger cars
- In-stock and ready for immediate shipment

With Vertical Express car top rail kits, you can rest assured that you are purchasing a high quality product for superior safety. Contact your local Vertical Express sales representative or call (866) 448-3789 toll free.

www.verticalxpress.com

(866) 448-3789

expert service • express delivery

Car Top Rail Kit

For Vertical Express Contractor Use Only

Once complete, fax to (901) 261-1807. Be sure to include all surveys.

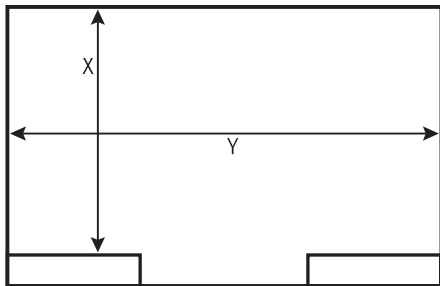
Office: _____ Date: _____ By: _____

Job Name: _____ Job Number: _____

PO Number: _____ Tel: _____

To place a direct order, call (866) 448-3789.

Front Entrances Only:

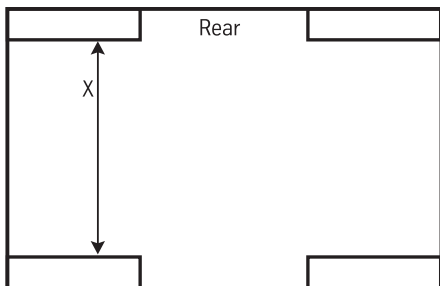


Front

X = Inside Depth Y = Platform Width

Maximum Car Size	Top of Car Safety Rail
$X \leq 75"$ and $Y \leq 88"$	684BJ4
$X \leq 118"$ and $Y \leq 88"$	684BJ4 plus 684BJ6 (extension kit) Add extension kit to depth.
$X \leq 75"$ and $Y \leq 173"$	684BJ4 plus 684BJ6 (extension kit) Add extension kit to depth.
$X \leq 118"$ and $Y \leq 173"$	684BJ4 plus (2) 684BJ6 (extension kit) Add extension kit to depth.

Front and Rear Entrances:



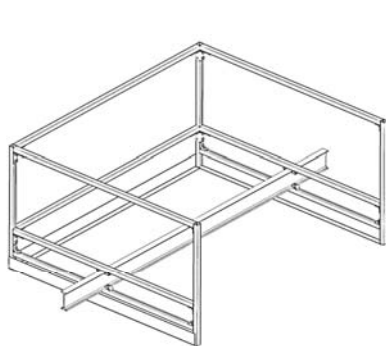
Front

X = Inside Depth

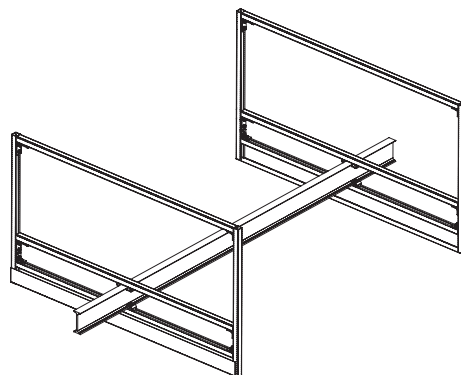
Maximum Car Size	Top of Car Safety Rail
$X \leq 75"$	684BJ5
$X \leq 118"$	684BJ5 plus 684BJ6 (extension kit) Add extension kit to depth.

Ordering Form:

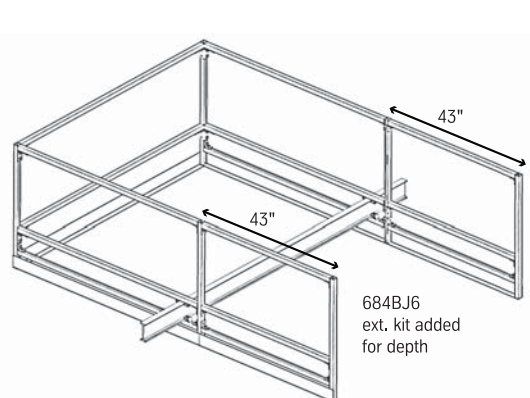
Drawing Number	Style	Quantity
684BJ4	Front Entrance Only	
684BJ5	Front and Rear Entrance	
684BJ6	Extension Kit (Adds 43" to depth or up to 85" to width.)	



684BJ4 Front Entrance



684BJ5 Front and Rear Entrance



684BJ4 Front Entrance (shown)
684BJ5 Front and Rear Entrance (available)

Vertical Express

P.O. Box 2019 Memphis, TN 38101 Tel: (866) 448-3789 (toll-free) Fax: (901) 261-1807 www.verticalpress.com

All illustrations and specifications are based on information in effect at the time of publication approval. Vertical Express reserves the right to change specification or designs and to discontinue items without prior notification or obligation. v.7.6. Copyright © 2007 Vertical Express Elevator